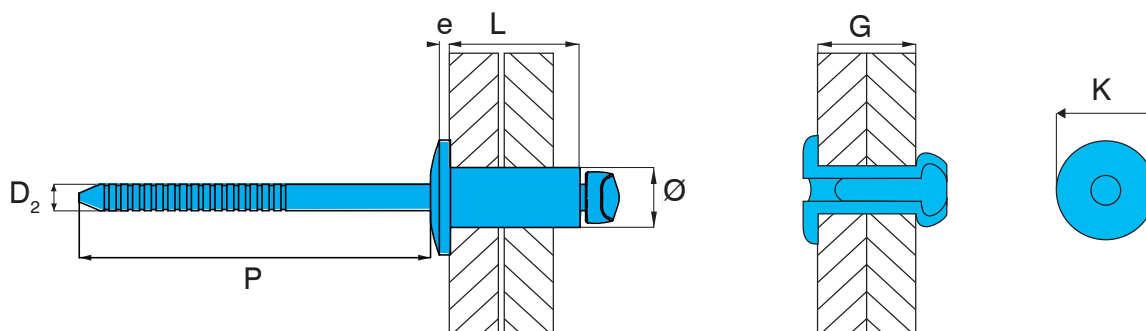


RIVET STANDARD - INOX A2/INOX A2 - TÊTE PLATE
BLIND RIVET - STAINLESS STEEL A2 - DOME HEAD

BTD



CARACTÉRISTIQUES / CHARACTERISTICS

Tige : Inox A2	Mandrel : stainless steel A2
Corps : Inox A2	Body : stainless steel A2
Tête plate	Dome head
Laquage : RAL 9003 (corps + tête)	Painted : RAL 9003 (body + head)

DIMENSIONS / DIMENSIONS

(mm)	Ø	L	G	K	e	D2	P
BTD4006	4.0 +0.08 / -0.15	6.0	1.0-2.0	8.0 ±0.4	1.3 ±0.2	2.45 ±0.1	25
BTD4008		8.0	2.0-4.0				
BTD4010		10.0	4.0-6.0				
BTD4012		12.0	6.0-8.0				
BTD4016		16.0	10.0-12.0				
BTD4018		18.0	12.0-14.0				
BTD4020		20.0	14.0-16.0				
BTD4808	4.8 +0.08 / -0.15	8.0	1.5-3.5	9.65 ±0.5	1.7 ±0.2	2.90 ±0.1	27
BTD4810		10.0	3.5-5.5				
BTD4812		12.0	5.5-7.5				
BTD4814		14.0	7.5-9.5				
BTD4816		16.0	9.5-11.5				
BTD4818		18.0	11.5-13.0				
BTD4820		20.0	13.0-15.0				
BTD4825		25.0	17.0-19.5				
BTD4830		30.0	20.0-25.0				

RÉSISTANCES + Ø PERÇAGE / RESISTANCE + Ø HOLE SIZE

Ø (mm)	CISAILLEMENT / SHEAR	TRACTION / PULL OUT	Ø(mm)
	(N)	(N)	
4.0	2 700	3 500	4.1-4.2
4.8	4 000	5 000	4.9-5.0