



DESCRIPTION

- Elite performance self-drilling & low-torque construction screws
- Proprietary self-drilling thread removes the need to pre-drill and reduces the probability of splitting
- Deep Torx® compatible insert ensures reduced cam out, higher torque levels and firmer drive
- Impressive pull out value, less risk of working loose in substrates that flex in use
- Elementech 2000 surface coating provides corrosion resistance up to 30 times longer than some standard zinc plated screws
- Super sharp tip gives immediate bite from the first turn
- Flexes to 35° reducing likelihood of screw shearing
- Available in Tan

APPLICATIONS

- For exterior use, suitable for fixing into softwood or hardwood

CE APPROVED



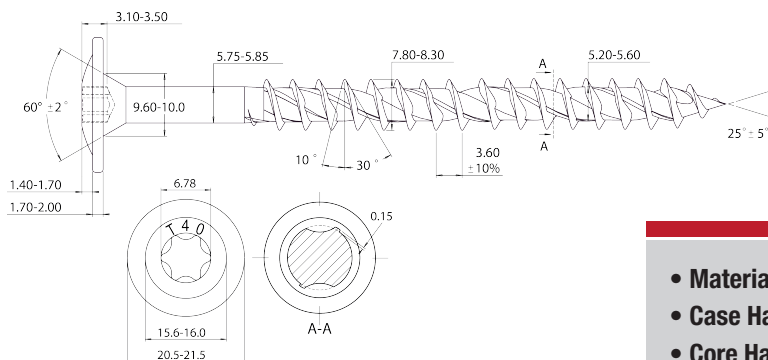
- Tested to European inspection and certification standards EN 14592:2008+A1:2012

PRODUCT OVERVIEW

Code	Diameter (mm)	Length (mm)	Head	Recess	Finish	Tub Qty
FFCS8140	8.0	140	Wafer	Torx®	Elementech • Tan	35
FFCS8160	8.0	160	Wafer	Torx®	Elementech • Tan	30
FFCS8180	8.0	180	Wafer	Torx®	Elementech • Tan	25
FFCS8200	8.0	200	Wafer	Torx®	Elementech • Tan	25
FFCS8220	8.0	220	Wafer	Torx®	Elementech • Tan	35
FFCS8240	8.0	240	Wafer	Torx®	Elementech • Tan	30
FFCS8260	8.0	260	Wafer	Torx®	Elementech • Tan	25
FFCS8280	8.0	280	Wafer	Torx®	Elementech • Tan	25
FFCS8300	8.0	300	Wafer	Torx®	Elementech • Tan	25
FFCS8320	8.0	320	Wafer	Torx®	Elementech • Tan	20
FFCS8340	8.0	340	Wafer	Torx®	Elementech • Tan	20
FFCS8360	8.0	360	Wafer	Torx®	Elementech • Tan	20

TECHNICAL INFORMATION

Size (mm)	Imperial Size	Insert Bit Size	Thread Length	Bending Torque Min.	Torsional Ratio	Tensile Strength
8.0 x 140	5 1/2" x 8	T40	80mm	25Nm	3.05	22.19kN
8.0 x 160	6 5/16" x 16	T40	80mm	25Nm	3.05	22.19kN
8.0 x 180	7 1/8" x 16	T40	80mm	25Nm	3.05	22.19kN
8.0 x 200	7 7/8" x 16	T40	80mm	25Nm	3.05	22.19kN
8.0 x 220	8 11/16" x 16	T40	80mm	25Nm	3.05	22.19kN
8.0 x 240	9 7/16" x 16	T40	80mm	25Nm	3.05	22.19kN
8.0 x 260	10 1/4" x 16	T40	80mm	25Nm	3.05	22.19kN
8.0 x 280	11 1/16" x 16	T40	80mm	25Nm	3.05	22.19kN
8.0 x 300	11 13/16" x 16	T40	80mm	25Nm	3.05	22.19kN
8.0 x 320	12 5/8" x 16	T40	80mm	25Nm	3.05	22.19kN
8.0 x 340	13 3/8" x 16	T40	80mm	25Nm	3.05	22.19kN
8.0 x 360	14 3/16" x 16	T40	80mm	25Nm	3.05	22.19kN



- **Material:** C1022
- **Case Hardness:** 450-600 HV
- **Core Hardness:** 280-400 HV

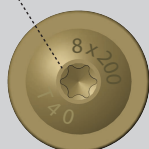
Protected by



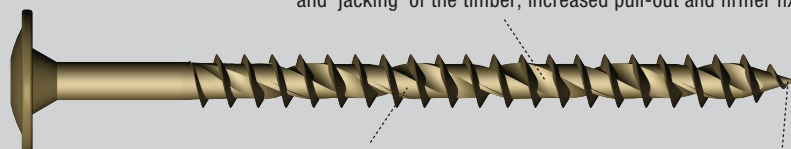
elementech
2000

2000 Hour Salt Spray Tested

TORX® compatible insert & size for easy inspection



Proprietary drill/drive shank for faster drive, reduced splitting and 'jacking' of the timber, increased pull-out and firmer fix



Flexes to 35° reducing likelihood of screw shearing

A sharp point for faster bite, capable of penetrating 0.8mm steel